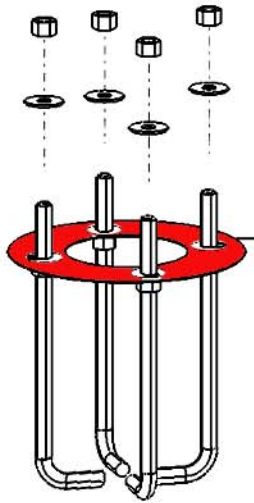
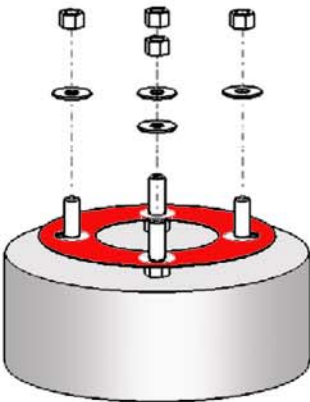
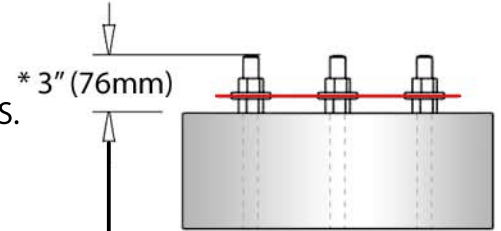


ANCHOR BOLTS INSTALLATION



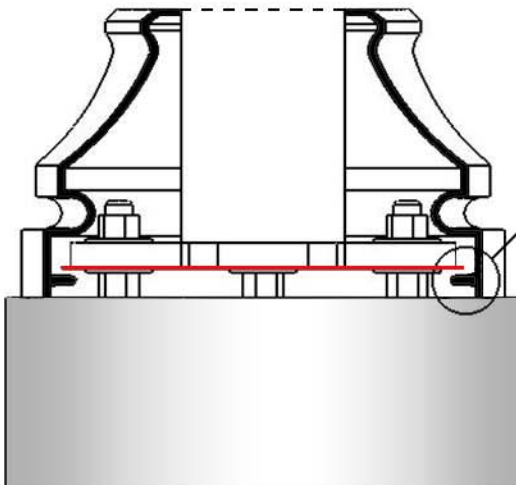
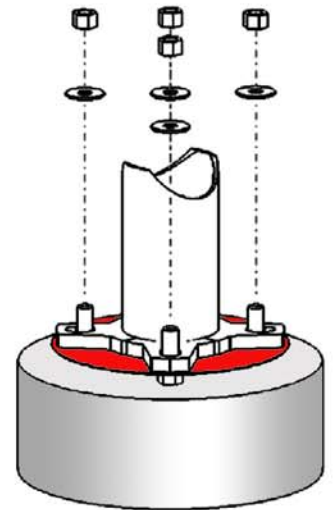
① INSTALLATION OF **TEMPLATE KEEPER PLATE** OVER ANCHOR BOLTS.

② PROJECTION RECOMMENDED FOR ANCHOR BOLTS OUTSIDE CONCRETE (3"-76mm).



③ WHEN CONCRETE IS SET, REMOVE ONLY THE TOP NUTS AND WASHERS. **LEAVE THE TEMPLATE KEEPER PLATE IN PLACE.**

INSTALL POLE OVER ANCHOR BOLTS AND SECURE WITH NUTS AND WASHERS. INSTALL BASE COVER.



⑤ WHEN INSTALLING BASE COVER, MAKE SURE THAT THE PEG INSIDE THE BASE COVER GOES UNDERNEATH THE **TEMPLATE KEEPER PLATE**.

APPLIES ON TWO
PIECES BASE COVER