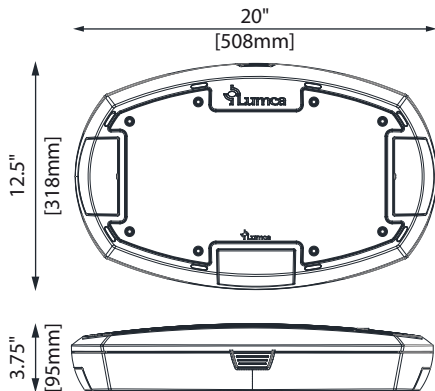


Date	City / Location	Project name
<input type="text"/>	<input type="text"/>	<input type="text"/>
Type	QTY	
<input type="text"/>	<input type="text"/>	



Weight: 13lb - 5.9kg

- 3000K (30K) and 4000K (40K).
- 1 to 4 LED modules (40 to 160 watts).
- Light distribution available in type II, III, IV and V.
- Tool-less access.
- IP66.
- CSA / CSA-US certified.
- Dark sky



LU EPA : 0.54 ft²

Ordering example: LU CL-F 36LED07 80W 40K L3FL 120 BK HSS

Luminaire	Arm (P.3)	Source	CCT	Dist. type	Voltage	Color
<input type="text"/>	<input type="text"/>	<input type="text"/>	<input type="text"/>	<input type="text"/>	<input type="text"/>	<input type="text"/>
Options						
<input type="checkbox"/> BTP Button Type Photocell	<input type="checkbox"/> HSS House Side Shield	<input type="checkbox"/> SGP10 Surge Protection (10kV)	<input type="checkbox"/> SGP20 Surge Protection (20kV)			
<input type="checkbox"/> TRP NEMA 7-Pin Twist-Lock Photocell Receptacle (C/W photocell)	<input type="checkbox"/> TRP7 NEMA 7-Pin Twist-Lock Photocell Receptacle (C/W Shorting Cap)	<input type="checkbox"/> RCD Remote-Controlled Dimmer (Software NOT included)		<input type="checkbox"/> PRG Programmable Driver (Consult Factory)		

Lumca reserves the right to modify the elements on this technical data sheet without prior notice.

Source Overview	Type II-III-V	Type IV**	CCT Overview	Voltage Overview
	530mA	700mA		
	- 18LED 05 30W	- 18LED 07 40W	- 30K (3000K)	- 120 - 347*
	- 36LED 05 60W	- 36LED 07 80W	- 40K (4000K)	- 208 - 480*
	- 54LED 05 90W	- 54LED 07 120W		- 240
	- 72LED 05 120W	- 72LED 07 160W	For other CCT, consult factory	- 277
				*347 and 480V mounted inside the pole

Distribution Overview	Type II	Type III	Type IV**	Type V	COLOR Chart	IES files
	L2B	L3	L3FL	L4	See STD Color Chart HERE	See Online

CONSTRUCTION

The cast aluminum housing is topped by a cast aluminum lid with dissipative heat sinks mounted on hinge cover. All cast aluminum parts are composed of alloy A380, free of porosity and impurities. The minimum wall thickness of all castings is 0.10" [2.54 mm]. All hardware is stainless steel.

OPTICAL SYSTEM

The optical system consists of a high impact resistant acrylic lens, an aluminium heatsink dissipater and high intensity white light emitting diodes (LEDs) divided in 2 to 4 light modules. The optical system is hermetically sealed to meet the international standard IP66, to protect it against lumen depreciation due to dust or insect infiltrations, preserving an optimal light output over the years and eliminating periodic cleaning of the lens.

ELECTRICAL COMPONENTS

Constant current, -40°C [-40°F] to 80°C [176°F], PF 0.99, 0-10v, 120V to 277V / 347V to 480V. Option: Programmable (PRG).

Tool-less access

All hardware is in stainless steel

FINISH

Powder coating minimum thickness 100 microns, ASTM D2247 5000 hours salt spray test.

All metallic parts are pre-treated using an environmentally friendly organic phosphating technology (PLAFORIZATION) before a polyester powder coating is electrostatically applied. The finish is of 100 microns minimal thickness and meets the ASTM B117 regulation related to salt spray and the ASTM D2247 regulation related to the resistance of the finishes exposed to a 100% relative humidity. RAL and Custom colour matches available.

Lumca reserves the right to modify the elements on this technical data sheet without prior notice.

Mounting configuration



M1A: Single mount



WA: Wood pole adaptor*



M2: Double mount



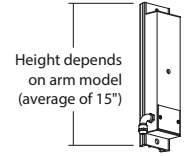
PM: Universal adaptor



MA: Wall mount
(hardware not included)



LF: Rail pole mount

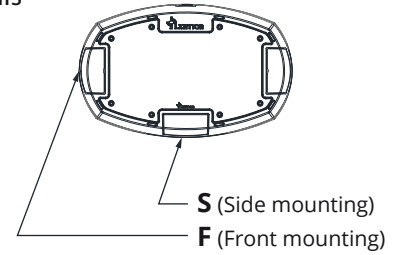


*Wood pole mount (WA)
C/W liquid tight connector

Single configuration



Mounting details



Double configuration



Lumca reserves the right to modify the elements on this technical data sheet without prior notice.