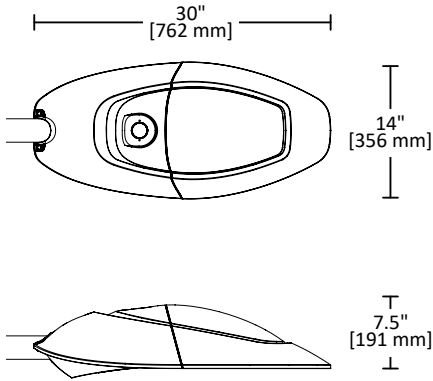




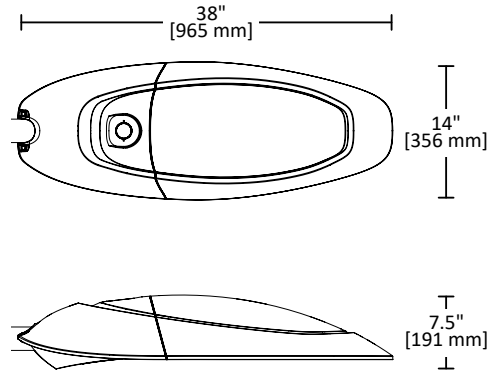
OL30 / OL35

OVAALI

OVAALI



OL30



OL35



Distributions

Type I
L1

Type II
L2

Type III
L3



Type III
L3FL

Type IV
L4

Type V
L5S



CCT		CRI
3000K	4000K	C70

Characteristics



Sources

Type I-II-III-V

530mA	700mA
18LED05 30W	18LED07 40W
36LED05 60W	36LED07 80W
54LED05 90W	54LED07 120W
72LED 05 120W*	72LED07 160W*
90LED05 150W*	90LED07 200W*
	108LED07 240W*

800mA
108LED08 260W*

Type IV

530mA	700mA
12LED05 20W	12LED07 27W
24LED05 40W	24LED07 54W
36LED05 60W	36LED07 80W
48LED05 80W*	48LED07 107W*
60LED05 100W*	60LED07 134W*
72LED05 120W*	72LED07 160W*

* OL35 only

OL30

- Up to 120W
- Up to 14 000 lumens
- Weight: 25lb - 11.3kg
- EPA: 0.47ft²

Description

The blending clean lines with an elegance that stands the test of time, the OVAALI series is the perfect solution for a truly distinctive look.

Construction

- Aluminum A380
- Minimum wall thickness of 0.125" [3mm]
- Stainless steel hardware
- To be installed on an arm 1.66" to 2.375" [42mm to 60mm] outside diameter, min. length of 7" [178mm]
- Tilt: -5° to 5°

Optical system

- Patented aluminum heat sink (US 10,260,729 B2)
- High intensity white light emitting diodes (LED)
- IP66

Driver

- Constant current Class 2, -40°C [-40°F] à 80°C [176°F], PF 0,99, 0-10V, 120 to 277V / 347 - 480V.
- Option PRG: Programmable Driver (Consult factory for scenario options)

Voltage

120 - 208 - 240 - 277 - 347 - 480

Finish

- **PlafORIZATION** (All metallic parts are pretreated using an environmentally friendly organic phosphating technology)
- Polyester powder coating
- Minimum thickness of 100 microns
- Meet ASTM B117 standard practice for salt spray test
- Meet ASTM D2247 testing water resistance of coatings in 100% relative humidity

Available options

- **RCD-DOF** Internal DimOnOff light control system C/W antenna (software not included)
- **HSS** House side shield (internal)
- **SGP** Surge protector 10kV or 20kV
- **PRG** Programmable driver
- **TRP7** 7 pins twist lock photocell receptacle (ANSI C136.41) C/W shorting cap
- **TRP** 7 pins twist lock photocell receptacle (ANSI C136.41) C/W photocell
- **PER** Twist lock photocell receptacle (ANSI C136.41)

Date

City

Project name

Type

Qty.



Color chart



IES files



Photometric chart



Options datasheet

OVAALI

Product code	Source	Voltage	Distribution	CCT	Options	Color
OL30	Type I-II-III-V	120	L1	30K	*See options below*	*see color chart*
OL35	18LED05 30W	208	L2B	40K		
	36LED05 60W	240	L3			
	54LED05 90W	277	L3FL			
	72LED05 120W*	347	L4			
	90LED05 150W*	480	L5			
	18LED07 40W					
	36LED07 80W					
	54LED07 120W*					
	72LED07 160W*					
	90LED07 200W*					
	108LED07 240W*					
	108LED08 260W*					
	Type IV*					
	12LED05 20W					
	24LED05 40W					
	36LED05 60W					
	48LED05 80W*					
	60LED05 100W*					
	72LED05 120W*					
	12LED07 27W					
	24LED07 54W					
	36LED07 80W					
	48LED07 107W*					
	60LED07 134W*					
	72LED07 160W*					

* OL35 only

Code example: OL30 36LED07 80W 120 L3 40K TRP7 SG

Communication node	House side shield	Surge protector	Programmable driver	Photocell
RCD-DOF DIMONOFF + ANTENNA	HSS	SGP-10 (120-277V) SGP-20 (120-277V) SGP-10HV (347-480V) SGP-20HV (347-480V)	PRG	TRP7 TRP PER

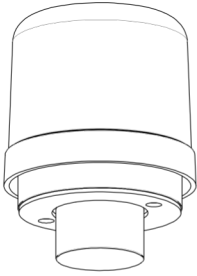
- **RCD-DOF** Internal DimOnOff light control system C/W antenna (software not included)
- **HSS** House side shield (internal)
- **SGP** Surge protector 10kV or 20kV
- **PRG** Programmable driver (consult factory for scenario options)

- **TRP7** 7 pins twist lock photocell receptacle (ANSI C136.41) C/W shorting cap
- **TRP** 7 pins twist lock photocell receptacle (ANSI C136.41) C/W photocell
- **PER** Twist lock photocell receptacle (ANSI C136.41)

LUMINAIRE OPTIONS

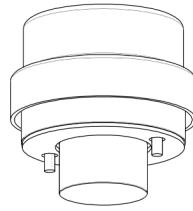
TRP

7 pins twist lock photocell receptacle C/W photocell.



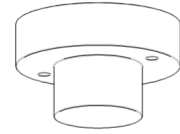
TRP7

7 pins twist lock photocell receptacle C/W shorting cap.



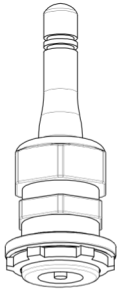
PER

Twist lock photocell receptacle only.



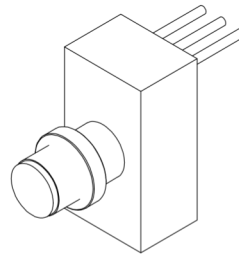
RCD-DOF

Remote controlled dimmer (Software not included).



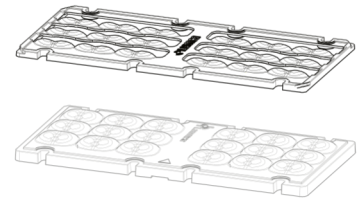
BTP

Button type photocell



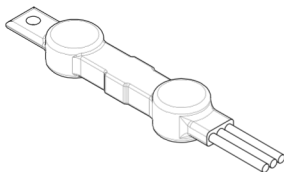
HSS

House side shield. (Directly mounted on optical lens)



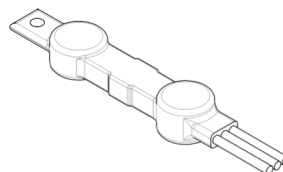
SGP-10

10 KV Surge protection
Also available SGP-10HV (for Hight voltage, 347-480V)



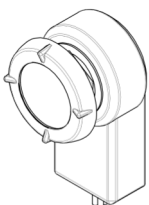
SGP-20

20 KV Surge protection
Also available SGP-20HV (for Hight voltage, 347-480V)



MS-24L

Title 24 Motion sensor C/W Low range lens.



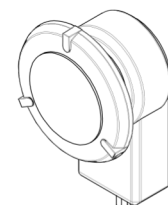
MS-24M

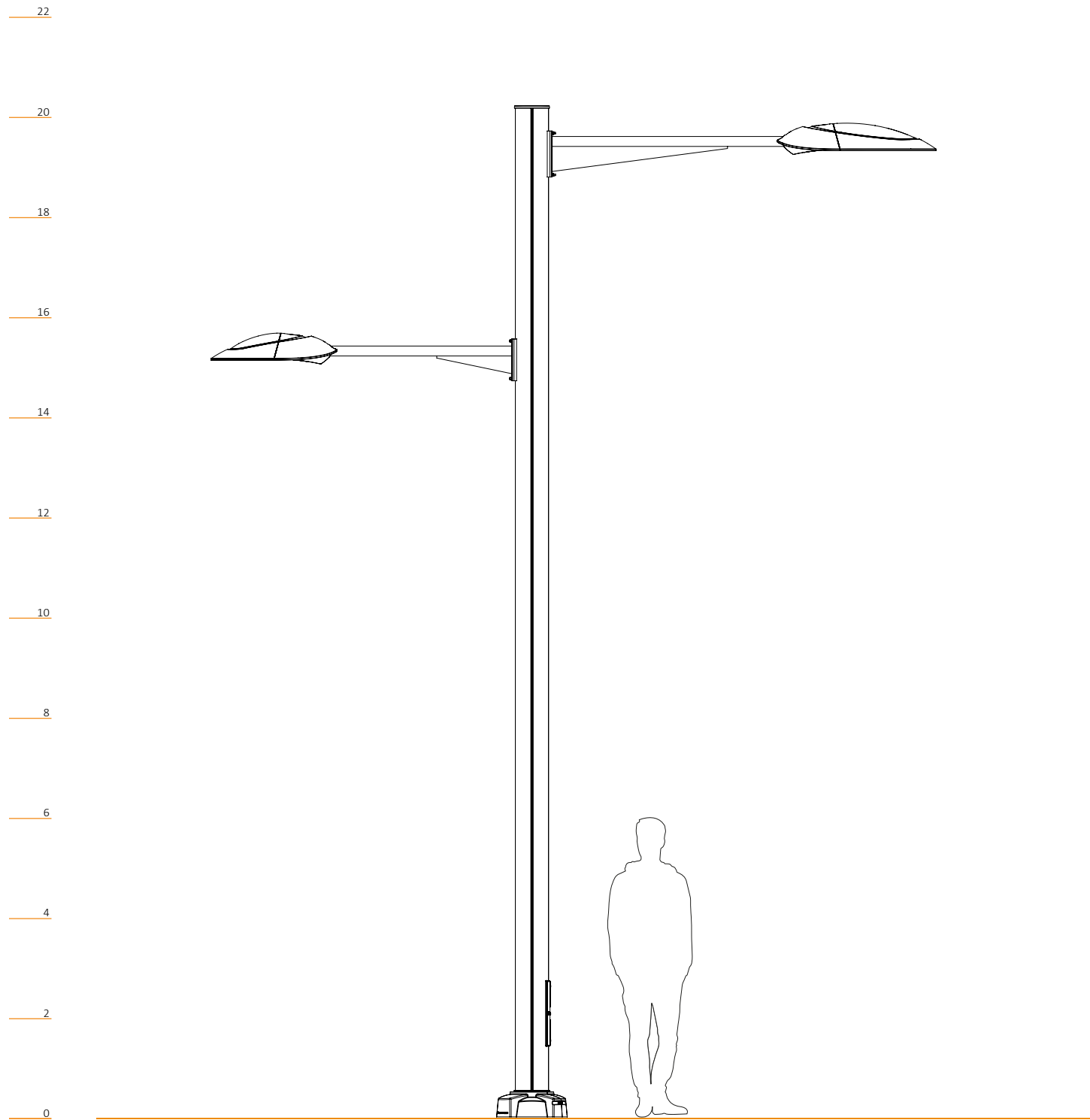
Title 24 Motion sensor C/W Medium range lens



MS-24H

Title 24 Motion sensor C/W High rang lens





Luminaire: OL35-OL30
Mounting arms: LF-CF71, LF-CF70
Pole: LF08-20
Base cover: WB18-8