

Date	City / Location	Project name
<input type="text"/>	<input type="text"/>	<input type="text"/>
Type	<input type="text"/>	QTY <input type="text"/>



AU-B8LF8
Flushmount base



AU-B8LF8-WB
Anchor plate cover

SPECIFICATIONS

- Up to 6 000 Lumens
- Up to 110 Lumens / Watt
- IES distribution type 1,2,3,4,5 and 90 degree beam angle
- CCT: 3000K and 4000K
- **Anti glare lens**
- CRI: 80
- IP66

BOLLARD HEIGHT

- 42" [1067mm]

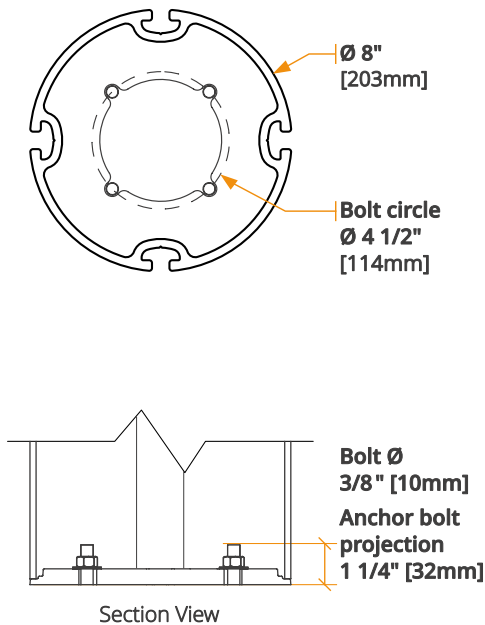
Order example : AU-B8LF8-WB 28LED03 30W 120V L5N 30KC80 SG

Bollard	Source	Volt	Distribution	CCT	Anchor Bolts
<input type="text"/>	<input type="text"/>	<input type="text"/>	<input type="text"/>	<input type="text"/>	<input type="checkbox"/> Supplied by LUMCA <input type="checkbox"/> Supplied by others <input type="checkbox"/> Existing
	RGB-W <input type="checkbox"/>		L5	CCT (W)	
Color	Light Control System	Surge Protector			
<input type="text"/>	<input type="text"/>	<input type="text"/>			

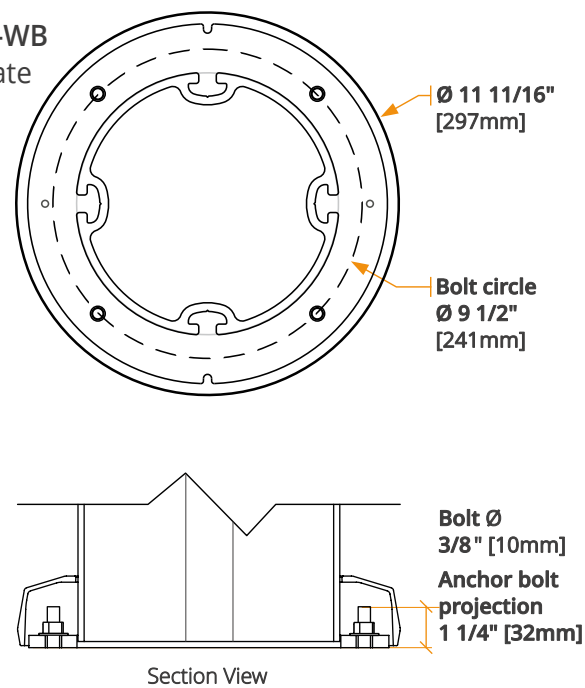
Lumca reserves the right to modify the elements on this technical data sheet without prior notice.

ANCHOR BASE PLATE:

AU-B8LF8
Flushmount
base



AU-B8LF8-WB
Anchor plate
cover



Source
Overview

Type I-II-III-IV-V
350mA

- 28LED03 30W

530mA

- 28LED05 50W

700mA

- 28LED07 65W

Distribution
Overview

Type I
L1



Type II
L2



Type III
L3



Type IV
L4



Type V
L5



90 degree
L5N



COLOR
CHART

IES
FILES

CONSTRUCTION

The bollard is made with a $\varnothing 8''$ [203mm] O.D. rail pole, straight pole also available, see AU-B8. Two silicon's gaskets ensure the luminaire housing against rain, insects and dust in accordance with international standard IP66. All cast aluminium pieces are in alloy 356, free of any porosity or foreign material. The minimum wall thickness of all castings is 0.188" [5mm]. All hardware is in stainless steel.

OPTICAL SYSTEM

The optical system consists of Polycarbonate prismatic lens, an aluminium heatsink dissipater and high intensity white light emitting diodes (LEDs). The optical system is hermetically sealed with a clear cast acrylic cylinder to meet the international standard IP66, to protect it against lumen depreciation due to dust or insect infiltrations, preserving an optimal light output over the years and eliminating periodic cleaning of the lens.

LED DRIVER

Constant current, -40°C [-40°F] to 80°C [176°F], PF 0.99, 0-10V, 120V to 277V / 347V to 480V.

Option: Programmable (PRG).

FINISH

Powder coating minimum thickness 100 microns, ASTM D2247 10,000h/10 year salt spray test. All metallic parts are pre-treated using an environmentally friendly organic phosphating technology (PLAFORIZATION) before a polyester powder coating is electrostatically applied. The finish is of 100 microns minimal thickness and meets the ASTM B117 regulation related to salt spray and the ASTM D2247 regulation related to the resistance of the finishes exposed to a 100% relative humidity. RAL and Custom colour matches available.

Lumca reserves the right to modify the elements on this technical data sheet without prior notice.